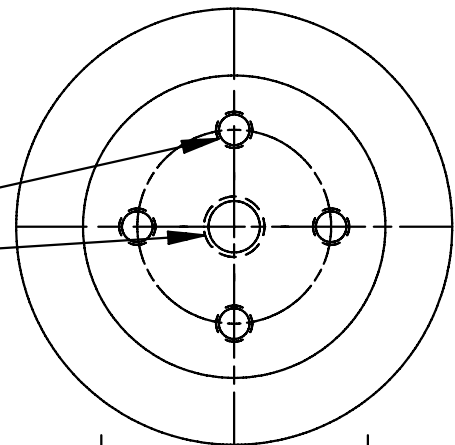


7

1 ENG. MGR.
2 ENG.
PURCH.
1 MKTG.
PLT. MGR.
COST
PROD.
INSP.
GLAZE
BUSHING
MAKING
SHIP.
ASSEM.
MODEL
MACH.
45
TOOLING
CER. LAB.
EL. LAB.
Q.A.
E.MEDIA

TOP INSERT

4 - 3/8-16 N.C. ON 2" B.C.
11/16" FULL THREAD
1 - 5/8-11 N.C. X
1 1/8" FULL THREAD



2.75"
DIA.

MECHANICAL VALUES

CANTILEVER STRENGTH	LB	1,000*
TENSILE STRENGTH	LB	3,000
TORSION STRENGTH	IN-LB	3,500
COMPRESSION STRENGTH	LB	20,000

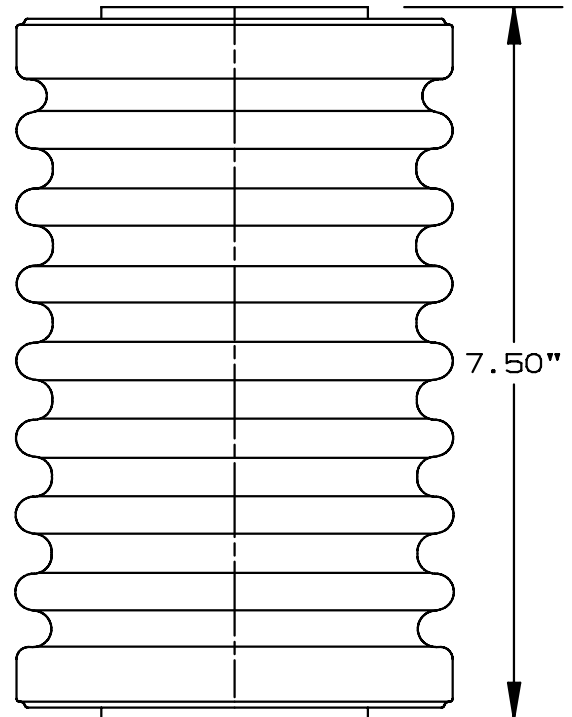
ELECTRICAL VALUES

NEMA, VOLTAGE RATING	kV	14.4
60 HERTZ WITHSTAND-DRY	kV	50
60 HERTZ WITHSTAND-DEW	kV	30
IMPULSE WITHSTAND	kV	110

PACKING INFORMATION

PACKED WEIGHT PER 100 LB 933

* CANTILEVER STRENGTH GIVEN
2 1/2" ABOVE TOP.

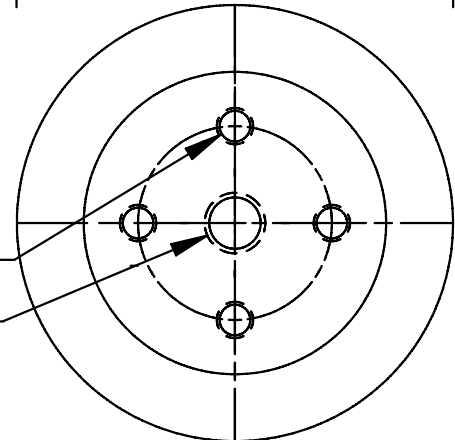


7.50"

4.50"
MAX.

BOTTOM INSERT

4 - 3/8-16 N.C. ON 2" B.C.
11/16" FULL THREAD
1 - 3/4-10 N.C. X
1 1/4" FULL THREAD



THIS DRAWING IS THE PROPERTY OF VICTOR INSULATORS, INC. AND CONTAINS PROPRIETARY AND CONFIDENTIAL INFORMATION WHICH MUST NOT BE DUPLICATED, USED, OR DISCLOSED OTHER THAN AS EXPRESSLY AUTHORIZED BY VICTOR INSULATORS, INC.



Victor Insulators, Inc.
280 MAPLE AVENUE
VICTOR, NEW YORK 14564
TELEPHONE: (716)924-2127

5753

06-09-07

TM

SUPERSEDES 5753 DATED 07-18-01

FILE: 5753