

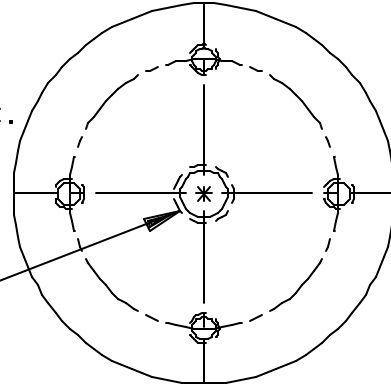
INDOOR BUS SUPPORT

7

TOP & BOTTOM

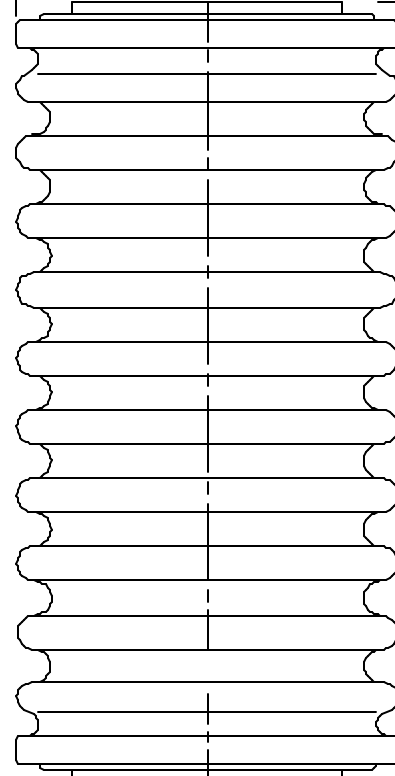
4-HOLES

. 1/2-13 N.C. ON 3" B.C.
5/8" FULL THREAD



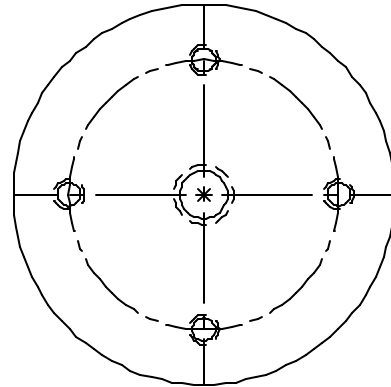
(1) 3/4-10
7/8" FULL THREAD
EACH END

6" DIA.
MAX.



18"

4.25"
DIA.



MECHANICAL VALUES

CANTILEVER STRENGTH	LB	1,200
TENSILE STRENGTH	LB	5,000
TORSION STRENGTH	IN-LB	6,000
COMPRESSION STRENGTH	LB	30,000

ELECTRICAL VALUES

IMPULSE WITHSTAND	kV	299
60 Hz WITHSTAND-DEW	kV	57.6

PACKING INFORMATION

PACKED WEIGHT PER 100	LB	4,700
-----------------------	----	-------

THIS DRAWING IS THE PROPERTY OF
 VICTOR INSULATORS, INC. AND CONTAINS
 PROPRIETARY AND CONFIDENTIAL INFORMATION
 WHICH MUST NOT BE DUPLICATED, USED,
 OR DISCLOSED OTHER THAN AS EXPRESSLY
 AUTHORIZED BY VICTOR INSULATORS, INC.

03-30-05	TM		A
02-28-05	TM		A
12-02-97	FD		



Victor Insulators, Inc.
 280 MAPLE AVENUE
 VICTOR, NEW YORK 14564
 TELEPHONE: (585)924-2127

5856