

HIGH DENSITY POLYETHYLENE

PINTYPE INSULATOR

CAT. NO. VIP 15C

C-NECK 1" PINHOLE

CLASS 55-3

- 1 ENG. MGR
- 2 ENG
- PURCH.
- 1 MKTG.
- PLT. MGR.
- COST
- PROD.
- INSP
- GLAZE
- BUSHING
- MAKING
- SHIP
- ASSEM
- MODEL
- MACH.
- 45
- TOOLING
- CER LAB
- 1 EL LAB
- 1 E.MEDIA

DIMENSIONS

LEAKAGE DISTANCE IN 13.6

MECHANICAL VALUES

CANTILEVER STRENGTH LB 3,000

ELECTRICAL VALUES

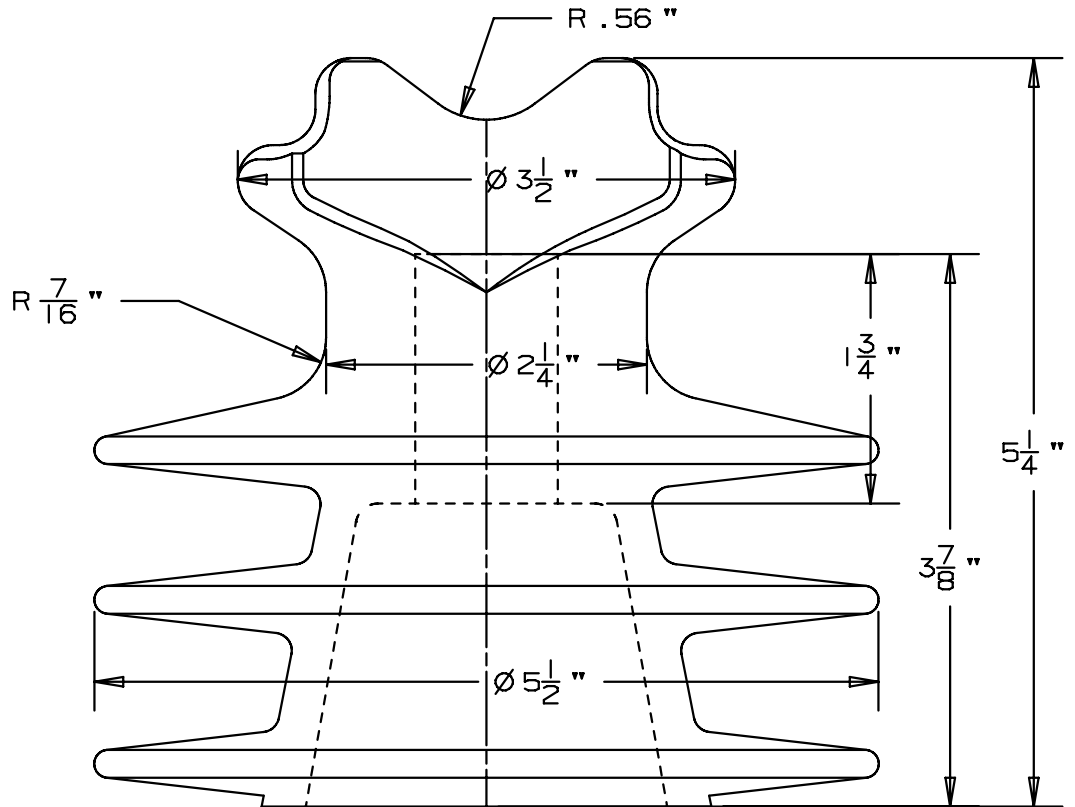
60 HERTZ FLASHOVER-DRY	kV	84
60 HERTZ FLASHOVER-WET	kV	43
IMPULSE FLASHOVER-POS	kV	123
IMPULSE FLASHOVER-NEG	kV	207
60 HERTZ PUNCTURE VOLTAGE	kV	210

RADIO INFLUENCE VOLTAGE DATA

60 HERTZ TEST VOLTAGE TO GRD.	kV	10
MAXIMUM RIV @ 1000 kHz	μV	50

PACKING INFORMATION

NET WEIGHT ,EACH	LB	1.25
PACKED WEIGHT ,EACH	LB	1.37
NO. IN STANDARD PACKAGE		18



THIS DRAWING IS THE PROPERTY OF VICTOR INSULATORS, INC. AND CONTAINS PROPRIETARY AND CONFIDENTIAL INFORMATION WHICH MUST NOT BE DUPLICATED, USED, OR DISCLOSED OTHER THAN AS EXPRESSLY AUTHORIZED BY VICTOR INSULATORS, INC.

FILE: VIP 15C



Victor Insulators, Inc.

280 MAPLE AVENUE
 VICTOR, NEW YORK 14564
 TELEPHONE: (585)924-2127

VIP 15C

11-15-07

TM