

HIGH DENSITY POLYETHYLENE

PINTYPE INSULATOR

CAT. NO. VIP 35CT

1" PINHOLE

CLASS 55-6 EQUIVALENT

DIMENSIONS

LEAKAGE DISTANCE IN 23

MECHANICAL VALUES

CANTILEVER STRENGTH LB 3,000

ELECTRICAL VALUES

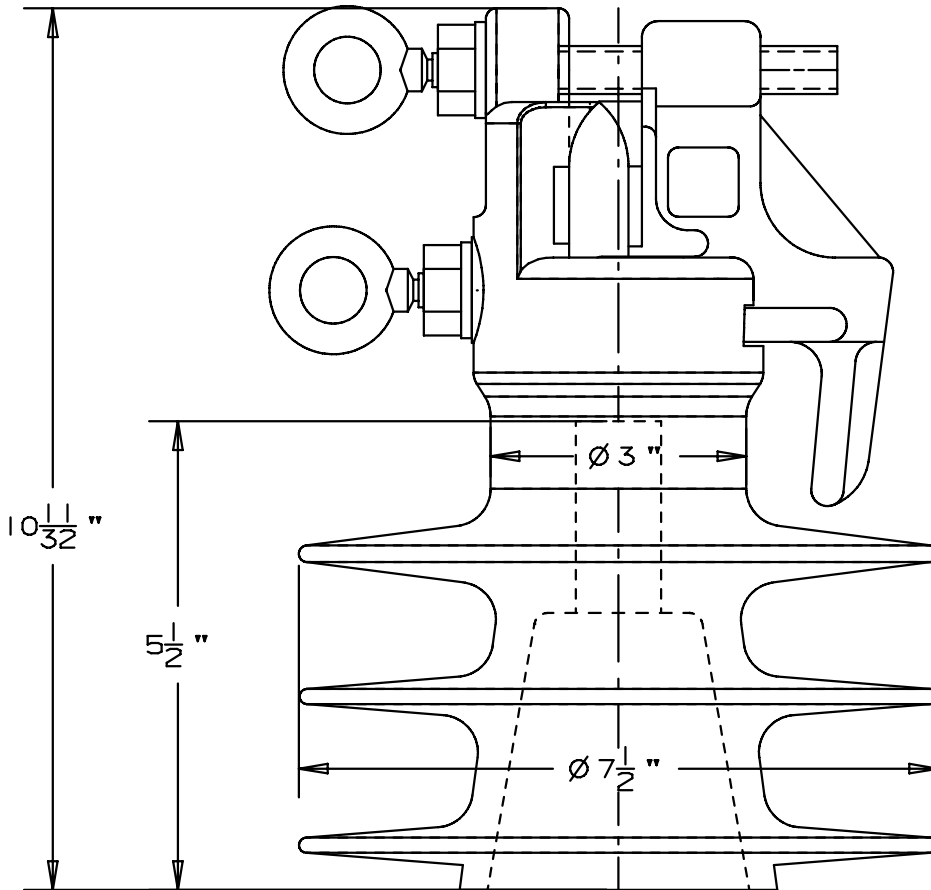
60 HERTZ FLASHOVER-DRY	kV	112
60 HERTZ FLASHOVER-WET	kV	59
IMPULSE FLASHOVER-POS	kV	172
IMPULSE FLASHOVER-NEG	kV	215
60 HERTZ PUNCTURE VOLTAGE	kV	250

RADIO INFLUENCE VOLTAGE DATA

60 HERTZ TEST VOLTAGE TO GRD.	kV	10
MAXIMUM RIV @ 1000 kHz	μV	100

PACKING INFORMATION

NET WEIGHT , PER 100	LB	312
PACKED WEIGHT , PER 100	LB	325
NO. IN STANDARD PACKAGE		9



THIS DRAWING IS THE PROPERTY OF VICTOR INSULATORS, INC. AND CONTAINS PROPRIETARY AND CONFIDENTIAL INFORMATION WHICH MUST NOT BE DUPLICATED, USED, OR DISCLOSED OTHER THAN AS EXPRESSLY AUTHORIZED BY VICTOR INSULATORS, INC.

1 ENG. MGR
2 ENG
PURCH.
1 MKTG.
PLT. MGR.
COST
PROD.
INSP
GLAZE
BUSHING
MAKING
SHIP
ASSEM
MODEL
MACH.
45
TOOLING
CER LAB
1 EL LAB
1 E.MEDIA

03-04-08

TM



Victor Insulators, Inc.

280 MAPLE AVENUE
VICTOR, NEW YORK 14564
TELEPHONE: (585)924-2127

VIP 35CT