

30

STATION POST	
CAT. NO. 14PA73	
138 kV	650 kV BIL

- 1 ENG. MGR.
- 2 ENG.
- PURCH.
- 1 MKTG.
- PLT. MGR.
- COST
- PROD.
- INSP.
- GLAZE
- BUSHING
- MAKING
- SHIP.
- ASSEM.
- MODEL
- MACH.
- 45
- TOOLING
- CER. LAB.
- 1 EL. LAB.
- Q.A.

DIMENSIONS

LEAKAGE DISTANCE IN 140

MECHANICAL VALUES

CANTILEVER STRENGTH	LB	1,450
TENSILE STRENGTH	LB	20,000
TORSION STRENGTH	IN-LB	40,000
COMPRESSION STRENGTH	LB	60,000

ELECTRICAL VALUES

IMPULSE FLASHOVER-POS.	kV	710
IMPULSE WITHSTAND	kV	650
60 HERTZ WITHSTAND-WET	kV	275

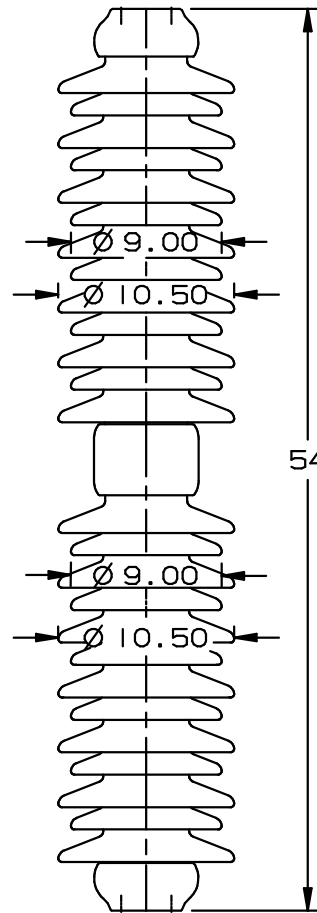
RADIO INFLUENCE VOLTAGE DATA

60 Hz. TEST VOLTAGE TO GRD.	kV	88
MAXIMUM RIV @ 1000 kHz	μV	200

PACKING INFORMATION

NET WEIGHT, COLUMN	LB	197
PACKED WEIGHT, COLUMN	LB	210
NO. IN STANDARD PACKAGE		1

4 HOLES
1/2-13 + .015" ON 3" B.C.



4 HOLES
1/2-13 + .015" ON 3" B.C.

THIS DRAWING IS THE PROPERTY OF VICTOR INSULATORS, INC. AND CONTAINS PROPRIETARY AND CONFIDENTIAL INFORMATION WHICH MUST NOT BE DUPLICATED, USED, OR DISCLOSED OTHER THAN AS EXPRESSLY AUTHORIZED BY VICTOR INSULATORS, INC.

	Victor Insulators, Inc. 280 MAPLE AVENUE VICTOR, NEW YORK 14564 TELEPHONE: (716)924-2127
	14PA73

01-20-97 T P P P R G