

30

STATION POST	
CAT. NO. 17PA29	
230 kV	1050 kV BIL
TR. NO. 316	

- 1 ENG. MGR
- 2 ENG
- 1 MKTG.
- PLT. MGR.
- COST
- PROD.
- INSP
- GLAZE
- BUSHING
- MAKING
- SHIP
- ASSEM
- MODEL
- MACH.
- 45
- TOOLING
- CER LAB
- 1 EL LAB
- Q. A.

DIMENSIONS

LEAKAGE DISTANCE IN 198

4 HOLES EACH END
5/8-11 +.015" NO 5" B.C.

MECHANICAL VALUES

CANTILEVER STRENGTH	LB	1,250
TENSION STRENGTH	LB	25,000
TORSION STRENGTH	IN-LB	90,000
COMPRESSION STRENGTH	LB	75,000

ELECTRICAL VALUES

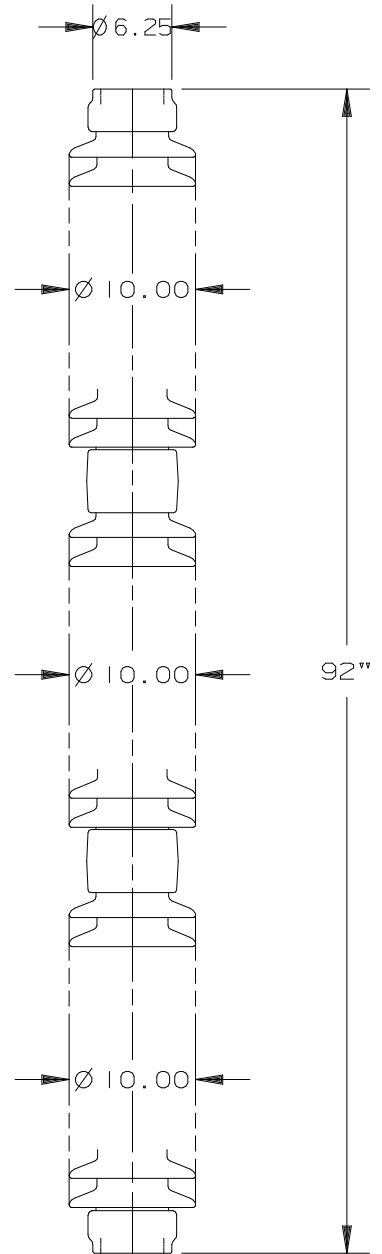
IMPULSE FLASHOVER-POS.	kV	1,210
60 HERTZ WITHSTAND-WET	kV	455
IMPULSE WITHSTAND	kV	1,050

RADIO INFLUENCE VOLTAGE DATA

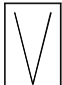
60 HERTZ TEST VOLTAGE TO GRD.	kV	146
MAXIMUM RIV @ 1000 kHz	µV	500

PACKING INFORMATION

NET WEIGHT , STACK	LB	325
PACKED WEIGHT , STACK	LB	370
NO. IN STANDARD PACKAGE		1



THIS DRAWING IS THE PROPERTY OF VICTOR INSULATORS, INC. AND CONTAINS PROPRIETARY AND CONFIDENTIAL INFORMATION WHICH MUST NOT BE DUPLICATED, USED OR DISCLOSED OTHER THAN AS EXPRESSLY AUTHORIZED BY VICTOR INSULATORS, INC.

	Victor Insulators, Inc. 280 MAPLE AVENUE VICTOR, NEW YORK 14564 TELEPHONE: (716)924-2127	17PA29
	10-08-97 TP PP RG	